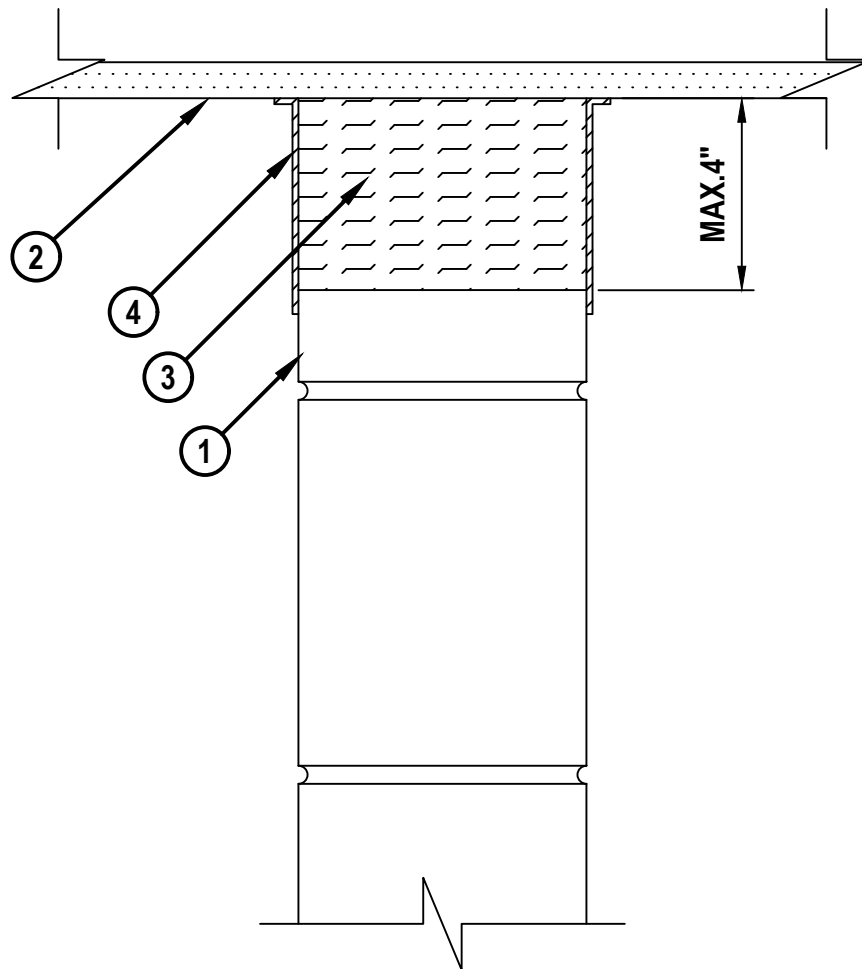


ENGINEERING JUDGMENT FIRESTOP DETAIL

PROJECT : NAABA RENOVATIONS
 ENGINEER : MCAROE ENGINEERING

CROSS-SECTIONAL VIEW



1. CONCRETE BLOCK WALL ASSEMBLY (UL/cUL CLASSIFIED) (MINIMUM 6" THICK) TO BE SOLID OR GROUT FILLED (1-HR. OR 2-HR. FIRE-RATING).
2. PLYWOOD DECK (MIN. 3/4") (NON FIRE-RATED).
3. MINERAL WOOL SAFINING (MIN. 4 PCF DENSITY) COMPRESSED 50%, FLUSH WITH WALL SURFACES.
4. MINIMUM 1/8" (WET) THICKNESS HILTI CFS-SP WB FIRESTOP JOINT SPRAY TO COMPLETELY COVER MINERAL WOOL, OVERLAPPING MINIMUM 1/2" ONTO ADJACENT ASSEMBLIES.

NOTES : 1. MAXIMUM WIDTH OF JOINT = 4".
 2. THIS SYSTEM IS DESIGNED AS A COLD SMOKE SEAL ONLY.

THIS ENGINEERING JUDGMENT REPRESENTS A FIRESTOP SYSTEM THAT WOULD BE EXPECTED TO PASS THE STATED RATINGS IF TESTED.
 (REFERENCE : UL/cUL SYSTEM NO. HW-D-1070)



Hilti Firestop Systems

HILTI, Inc.
 Plano, Texas USA (800) 879-8000

Designed by

Sheet 1 of 1

Scale 1/4" = 1"

Date Apr. 08, 2020

Drawing No.

365606a